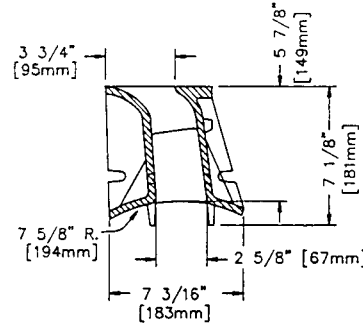


R-3599 Series
Slotted Vane Drain, Sheetflow

Heavy Duty

Neenah's Cast Iron Slotted Vane Drain offers ease of installation along with the superior vaned configuration to capture previously unexpected quantities of water when placed perpendicular to the flow. Installation is accomplished by sawing a slot in the top of conventional PVC pipe, placing the pipe on grade, installing the Cast Iron Slotted Vane Drain in place and pouring the concrete. When used in conjunction with a vane grate inlet, virtually all of the water in the street, which would normally bypass the catch basin, can be captured. This permits the spacing between inlets to be increased. An additional benefit is the added safety factor obtained should the catch basin be plugged or covered with snow. The unit may also be installed wherever sheet flow capture is required.

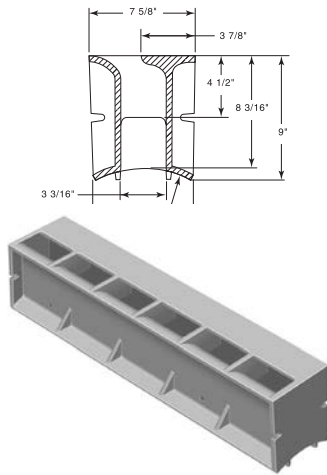


Illustrating R-3599-A

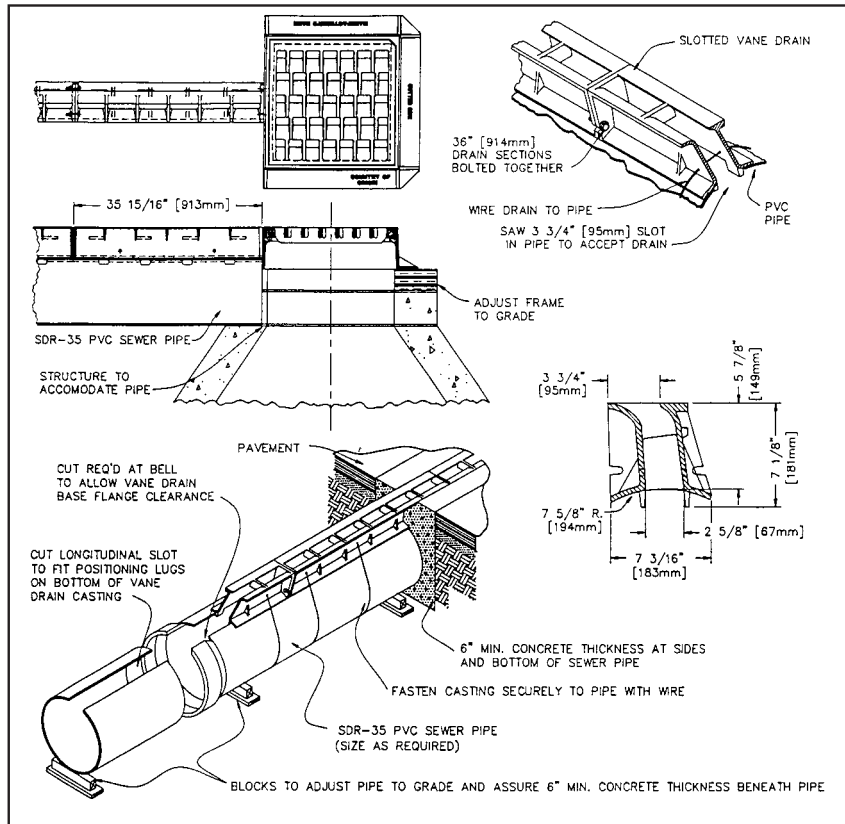
On longitudinal slopes of 0% to 6%, this unit captures approximately 0.5 cubic feet per second, per lineal foot.

CATALOG NUMBER	GRATE TYPE	SQ. FT. OPEN	WEIR PERIMETER LINEAL FEET
R-3599-A	L	0.2 per ft.	2 per ft.
R-3599-B	L	0.2 per ft.	2 per ft.

Catalog No.	Type
R-3599-A	Heavy Duty
R-3599-B	Extra Heavy Duty



Illustrating R-3599-B



ROLL & GUTTER INLETS